

Sistem rangka plafon yang sesuai untuk diaplikasikan pada proyek luxurious dengan area plafon lebih dari 100m² atau bentang bebas lebih dari 10m. **Tersedia pilihan standard & tahan api.**



Lokasi: Central Park, Jakarta



Safety Factor
min 6X



Bergaransi
Tahan Api



Luas Area Plafon
>100 m²



Performa
Heavy Load Duty

Komponen Sistem

Komponen Utama



Primary Section (3600 mm)
PN 200 30 mm Top Cross Rail 0.4 mm (BMT)
PN 201 30 mm Top Cross Rail 0.5 mm (BMT)
PN 202 30 mm Top Cross Rail 0.7 mm (BMT)



Secondary Section (4800 mm)
PN 204 23 mm Furring Channel 0.4mm (BMT)
PN 205 23 mm Furring Channel 0.5mm (BMT)



Primary & Secondary Connectors
PN 210 Furring Channel to Top Cross Rail



Perimeter Sections (3000 mm)
PN 212 25 x 25 Wall Angle 0.7 mm (BMT)
PN 212EX 19 x 19 Wall Angle 0.7 mm (BMT)
PN 213 25 x 25 Wall Angle 0.7 mm (BMT)

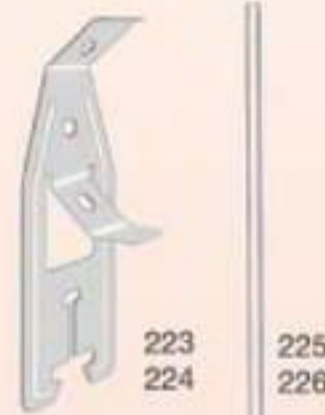
Aksesoris



Direct Fixed Clips
PN 214 Top Cross Rail to Timber/Steel
PN 217 Furring Channel to Timber/Steel Beam, 108 mm
PN 218 Furring Channel to Timber/Steel Beam, 190 mm
PN 219 Furring Channel to Concrete/Masonry



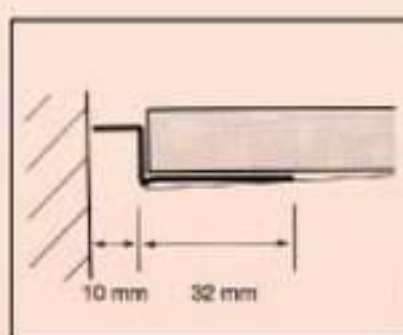
Suspension Bracket
PN 220 Suspension Rod to Concrete
PN 221 Suspension Rod to Timber/Steel



Suspension Clip
PN 223 Top Cross Rail Spring Adjusted 4 mm Rod
PN 224 Top Cross Rail Spring Adjusted 5 mm Rod

Suspension Rods & Nuts
PN 225 4 mm Soft Galvanised Suspension Rod (3600 mm)
PN 226 5 mm Soft Galvanised Suspension Rod (3600 mm)

Aksesoris Plastering



PN 307 : Shadowline Stopping Angle (3000 mm)



PN 310 : Control Joint (3000 mm)

